

SUBMITTAL SHEET

94VLF

Lead Free Brass Full Port Press Ball Valves

| | |
|-----------------|--|
| Job Name: | |
| Job Location: | |
| Engineer: | |
| Contractor: | |
| Tag: | |
| PO Number: | |
| Representative: | |

The 94VLF Series ball valve by is a lead free forged brass ball valve that combines reliable operation with the utmost economy. The 94VLF Series is ideal for gas, fuels, fire protection, and general plumbing and HVAC applications including potable water. Featuring quarter-turn lever handle flow control, the 94VLF Series ball valve is a versatile and reliable ball valve.

Features:

- Blowout-proof stem design
- Corrosion resistant
- Reinforced Teflon seats
- Adjustable stem packing nut
- Solid chrome plated ball that helps fluid flow smoothly at a constant velocity
- Quarter-turn lever handle with vinyl grip
- Leak-Before-Press Technology

Performance Rating:

- 250 psi Non-Shock Cold Working Pressure
- Max. Temperature: 250° F

Approvals:

- NSF/ANSI 61 - Water Quality
- NSF/ANSI 372 - Lead Free
- IAPMO Z1157

Installation:

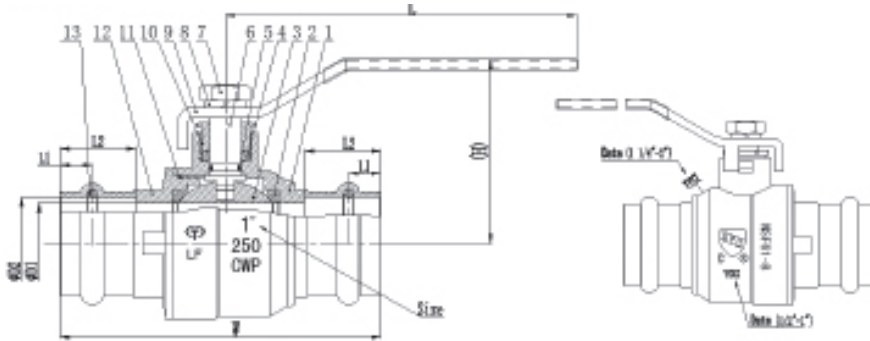
The 94VLF Series ball valves are bi-directional. They may be installed in vertical or horizontal pipe runs without regard to flow direction and without regard to stem orientation.

1. Cut type K, L or M hard copper tube squarely using a rotary tube cutter.
2. Remove burrs to ensure tube end is smooth and clean to avoid damaging the o-ring.
3. Identify the depth, using the Depth Chart, and measure the tube from the end, marking it clearly on the exterior of the tube. This ensures a proper seal of fitting and tube.
4. While turning the tube slightly, slide the press fitting to the marked depth.
5. Press the joint.



Standard Materials List:

| | |
|------------------------|---------------------|
| 1. BODY | C46500 |
| 2. SEAT | PTFE |
| 3. BALL | Stainless Steel 304 |
| 4. PACKING | PTFE |
| 5. O-RING | NBR |
| 6. STEM | C37700 |
| 7. HANDLE NUT | Q235 |
| 8. LOCK WASHER | Q235 |
| 9. HANDLE | Q235 |
| 10. PACKING NUT | Brass |
| 11. O-RING | NBR |
| 12. CAP | C46500 |
| 13. O-RING | EPDM |



| Brass Press Ball Valves | | | | | | | | | | |
|-------------------------|-------------|------|------|------|------|------|------|------|----------|------------|
| Part Number | Description | D1 | W | H | L | L1 | L2 | D2 | Wt (lbs) | Carton Qty |
| 94VLF10301TMG | 1/2 in. | 0.59 | 3.17 | 1.81 | 3.46 | 0.33 | 0.81 | 0.64 | 0.53 | 15 |
| 94VLF10401TMG | 3/4 in. | 0.75 | 3.60 | 2.09 | 4.29 | 0.39 | 1.02 | 0.89 | 0.81 | 10 |
| 94VLF10501TMG | 1 in. | 0.98 | 3.92 | 2.25 | 4.29 | 0.39 | 1.09 | 1.14 | 1.29 | 6 |
| 94VLF10601TMG | 1-1/4 in. | 1.26 | 4.41 | 2.53 | 5.63 | 0.39 | 1.13 | 1.39 | 1.74 | 5 |
| 94VLF10701TMG | 1-1/2 in. | 1.57 | 5.35 | 2.74 | 5.63 | 0.51 | 1.42 | 1.64 | 2.47 | 4 |
| 94VLF10801TMG | 2 in. | 49.3 | 6.50 | 3.04 | 6.10 | 0.59 | 1.77 | 2.14 | 4.19 | 2 |

*LEAD FREE: The wetted surfaces of this product shall contain no more than 0.25% lead by weighted average. Complies with Federal Public Law 111-380. ANSI 3rd party approved and listed.